

ENT workstations

MODULA





The new Heinemann headquarter is attractively located in Kaltenkirchen and accomodates our sales, manufacturing and service departments. Individual and qualified consulting services are what our customers rely on when turning towards Heinemann. From a first idea to a complete CAD draft, we deliver custom solutions and concepts to our customers.

Continuous international growth lead to formation of Heinemann subsidiaries in Russia and France and appointment of distribution partners in many other countries. Quality and design will always remain our core values in order to stay ahead of the competition.

Since 1983, **Heinemann Medizintechnik** is one of the leading equipment providers in **ENT medical technology**.

The company is not only a **manufacturer** of high-quality ENT treatment units, but also a **competent** partner for practice planning as well as your sales **partner** for complete ENT equipment in **hospitals** and private practices.

Company history

Its profile covers the development, manufacture, sales and distribution of ENT diagnosis devices. The product range also included ultrasound devices for paranasal sinus diagnostics, stroboscopy devices for vocal chord diagnostics and devices for vestibular diagnostics.

- 1983 Foundation of Heinemann Medizintechnik
- 1990 Heinemann introduces the first MODULA ENT Treatment Unit
- 1991 Manufacturing begins in new premises in Hamburg (Hummelsbüttel)
- 1995 Heinemann opens subsidiary in Moscow (Russia). Heinemann on trade fairs in Moscow, Kazan, St. Petersburg, Odessa
- 1996 Heinemann wins tender to equip the Academy of Music in Kazan. Inauguration of the Academy by Boris Jelzin with dedication to Heinemann Medizintechnik
- 1997 Heinemann delivers ENT units to Bolshoi Theater in Moscow
- 1998 Heinemann opens office in Schönfeld (Perleberg)
- 2004 Introducing of new caloric air & water irrigators
- 2006 Introducing of a new VNG mask
- 2007 Development of a new small mobile ENT treatment unit "MODULA mini"
- 2008 Heinemann Medizintechnik is named official distributor of PHILIPS Medical Systems in Russia
- 2010 Many updates on ENT Treatment Units: LED cold light, glass control panel, antibacterial color coating, etc.
- 2011 Heinemann wins tender for 80 ENT Treatment Units to the Republic of Belarus
- 2012 Heinemann wins tender for healthcare modernization programme in Moscow: 251 ENT work stations delivered to Moscow area
- 2013 Completion of our new company home in Kaltenkirchen. Placed on a 6000 m² property, the new production facility has been built using latest technologies in order to provide sustainability and capacity for continuous production volume increase in the coming years. The 1600 m² production facility is dimensioned to provide capacity for further anticipated growth.



In the future, quality and design will remain our priorities in order to stay ahead of the market.

MODULA overview

Standard equipment of MODULA units	Duo	Europa	Paris	mini
High-quality, electrolytically galvanised sheet steel housing	✓	✓	✓	✓
Stoved enamel powder coating in 20 colours	✓	✓	✓	✓
20 standard colours with antibacterial characteristics and fine structure (other RAL colours also available on request)	✓	✓	✓	✓
Mobile unit with stainless steel base, antistatic heavy-duty castors	✓	✓	✓	✓
Electronic operating and display system: robust, user-friendly glass control panel with touch-sensitive function keys	✓	✓	✓	✓
Instrument holder for handles	✓	✓	✓	✓
Integrated rapid mirror warmer with fan	✓	✓	✓	✓
Fully extendable and soft closing drawers	6	4	2	3
Pull-out writing/preparation desk with stainless steel surface	✓	✓	✓	-
Disinfection quiver for rigid endoscopes with protective silicone adapter	4*	3*	3*	3*
2 instrument levels with stainless steel instrument trays	✓	✓	✓	-
Indirect illumination for instrument levels	✓	✓	✓	-
Acrylic glass instrument cover, sinkable behind the cabinet	✓	✓	✓	-
Stainless steel instrument tray for used instruments with silicone insert	✓	-	✓	-
Melamine instrument tray for used instruments with silicone insert	-	✓	-	-
Waste bin, opening with foot pedal (self-closing)	✓	✓	✓	-

* Maximum possible number

MODULA mini ○

Mobility and efficiency
Mobility and efficiency



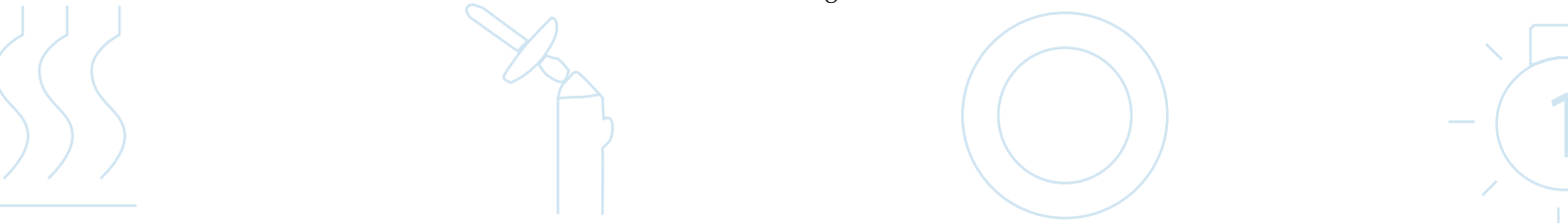
Image does not show standard equipment

Product description



MODULA mini is our most compact unit, yet offering all essential features. Despite its small dimensions, this unit can be equipped with almost all features of the MODULA product portfolio. This space-saving unit offers automatic or manual suction systems, up to 3 cold light sources (halogen or LED), endoscope quivers for rigid and flexible endoscopes and much more.

MODULA mini is the right unit for very small examination rooms or to serve as a backup unit with essential functions. MODULA mini is a small mobile unit which can be moved between examination rooms. If more space is needed an instrument cabinet is also available in the same design in order to store additional instruments.



Standard equipment

- High quality electrolytic zincplated steel cabinet
- Stoved enamel antibacterial powder coating in 20 colours
- Mobile unit with stainless steel base, antistatic heavy-duty castors
- Electronic operating and display system: robust, user-friendly glass control panel with touch-sensitive function keys
- Instrument holder for irrigation, compressed air and suction handles
- Integrated rapid mirror warmer, with fan
- max. 4 drawers, fully extending with soft close system
- 3 disinfection quivers for rigid endoscopes with protective silicone adapter



Image does not show standard equipment

- | | |
|---|---|
| 1 Irrigation handle, compressed air sprayer, suction hose | 6 Endoscope quivers |
| 2 Glass display as a display and control element | 7 Fully extendable and soft closing drawers |
| 3 Disinfection quivers for rigid endoscopes | 8 Mirror warmer |
| 4 LED or halogen cold light sources | 9 Robust design featuring high-quality materials |
| 5 Antibacterial tubes with quick connectors | 10 Headlamp holder, switches on/off automatically, height-adjustable and swivelling |

Example ENT workstation



Image does not show standard equipment

- 1 ENT Monitor 18,5"
- 2 Endoscopy camera swiftCAM-USB

- 3 Head light HEINE 3S LED with mPack
- 4 Rigid endoscope with cold light cable

Example model versions



Storage compartments instead of two top drawers

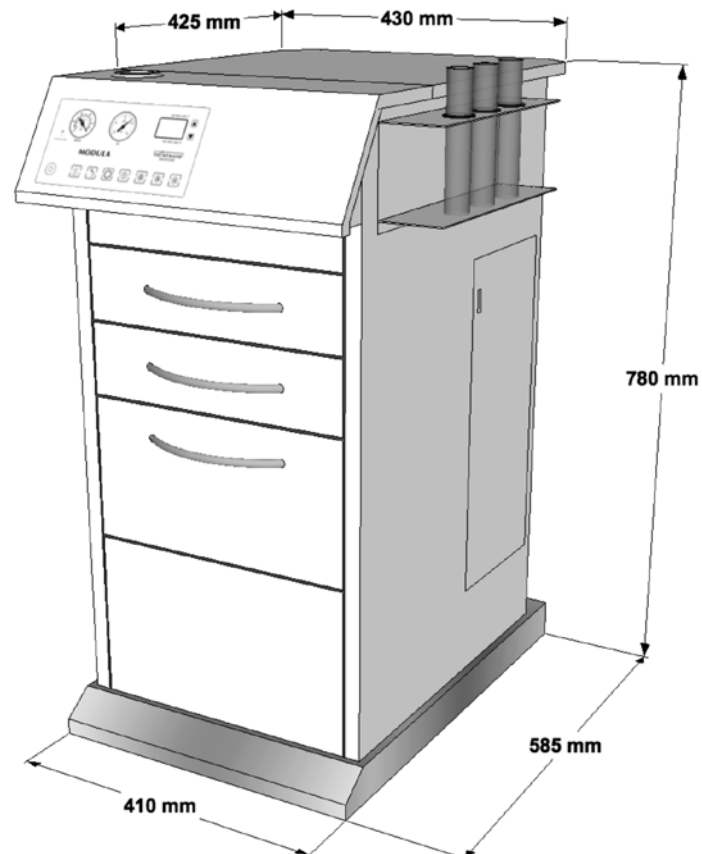


Four small drawers



Storage compartments instead of drawer

Dimensions



Standard colours (antibacterial coating with fine structure):

				
RAL 1001 Beige	RAL 1013 Oyster white	RAL 1028 Melon yellow	RAL 3004 Purple red	RAL 3020 Traffic red
				
RAL 5003 Sapphire blue	RAL 5010 Gentian blue	RAL 5014 Pigeon blue	NEW: Traffic blue	RAL 5018 Turquoise blue
				
RAL 5024 Pastel blue	RAL 6029 Mint green	RAL 6034 Pastel turquoise	RAL 7016 Anthracite grey	RAL 7032 Pebble grey
				
RAL 7035 Light grey	RAL 7044 Silk grey	RAL 7045 Telegrey 1	RAL 9010 Pure white	RAL 9016 Traffic white

The colours shown here may differ from those on the screen or in print

Technical details:

Mains voltage, mains frequency:	230 V (+/- 10 %) at 50/60 Hz
Power consumption:	max. 2.3 kVA at 10 A
Classification:	Ila
Protection category:	I
Degree of protection:	B
Motor suction (optional):	Vacuum pump (oil-free, suction capacity 40 l/min at -0.85 bar, 150 VA), electronic and mechanical overflow protection, bacterial filter
Compressed air (optional):	12 l/min at 2,700 rpm and 138 VA, optionally adjustable from 0.2 to 2.5 bar
Ear irrigation with continuous flow heating (optional):	+37° C +/-1° C, 500 ml/min, max. 1,500 VA (when heating)
Ear irrigation with water heater system (optional):	+37° C +/-1° C, 500 ml/min, max. 550 VA (when heating)
Water tank (optional):	5 litres
Light source, halogen (optional):	150 VA, 15 V
Light source, LED (optional):	30 VA, 12 V
Total weight:	approx. 60 kg (depending on equipment)
Dimensions (WxHxD):	410 x 790 x 585 mm
Ambient temperature:	from +5° C to +35° C

Subject to technical modifications

MODULA Paris ○

Maximum equipment
occupying minimal space



Image does not show standard equipment

Product description



MODULA Paris – the complete functional scope in a small space. If you only have limited space available or you need a second, small unit with specific functions, this is the treatment unit for you. This treatment unit offers the complete range of functions of large treatment units (e.g., MODULA Europa). Despite its compact size, the MODULA Paris offers plenty of space for instruments and devices. It can be equipped with instrument trays on up to three levels (one extendable) or a gallery.



Standard equipment

- High-quality, electrolytically galvanised sheet steel housing
- Stoved enamel antibacterial powder coating in 20 colours
- Mobile unit with stainless steel base, antistatic heavy-duty castors
- Electronic operating and display system: robust, user-friendly glass display with touch-sensitive function keys
- Instrument holder for irrigation, compressed air and suction handles, swivelling
- Integrated rapid mirror warmer, with fan
- 2 fully extendable and soft closing drawers
- 3 disinfection quivers for rigid endoscopes with protective silicone adapter
- 2 instrument levels with stainless steel instrument trays
- Indirect illumination for instrument levels
- Acrylic glass instrument cover, sinkable behind the cabinet
- Stainless steel instrument tray for used instruments with silicone insert
- Waste bin, opening with foot pedal (self-closing)
- Pull-out writing/preparation desk with stainless steel surface



Image does not show standard equipment

- | | |
|---|--|
| <ul style="list-style-type: none"> 1 Irrigation handle, compressed air sprayer, suction hose 2 Glass display as a display and control element 3 Instrument trays on up to three levels 4 LED or halogen cold light sources 5 Antibacterial tubes with quick connectors 6 Endoscope quivers 7 Rinsing system for suction tube | <ul style="list-style-type: none"> 8 Upper shelf as expansion of storage possibilities 9 Fully extendable and soft closing drawers 10 Stainless steel instrument tray 11 Mirror warmer 12 Robust design featuring high-quality materials 13 Waste bin 14 Pull-out writing/preparation desk with stainless steel surface |
|---|--|

Example ENT workstation



Image does not show standard equipment

- | | |
|--|---|
| 1 Gallery above instrument level as extended storage possibility for additional devices etc. | 4 Holder for a cold light headlamp with HEINE 3S LED head light |
| 2 Rigid endoscope with cold light cable | 5 ENT monitor 18,5" (16:9) |
| 3 Endoscopy camera "swiftCAM-USB" | |

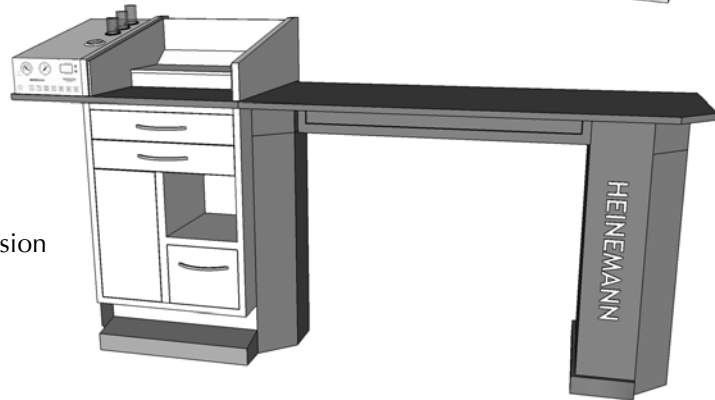
Example model versions



Electronic operating and display system on the right side

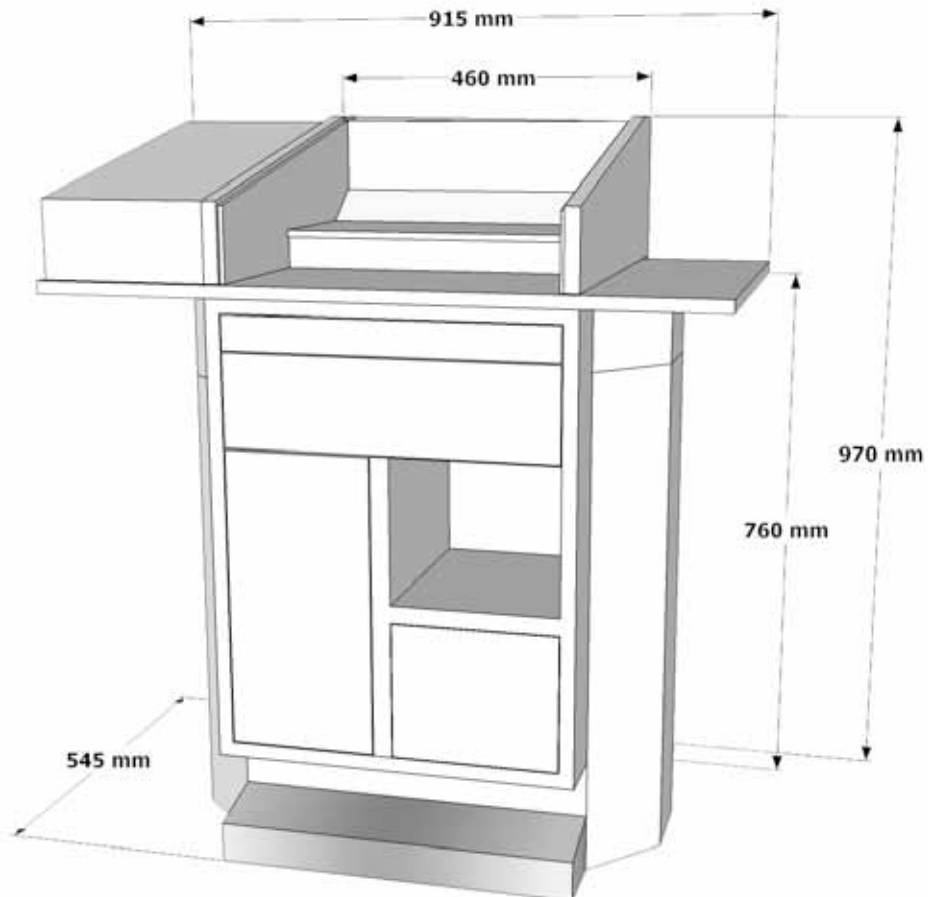


Mirror warming block on the top instrument level



120 cm desk extension

Dimensions



Standard colours (antibacterial coating with fine structure):

				
RAL 1001 Beige	RAL 1013 Oyster white	RAL 1028 Melon yellow	RAL 3004 Purple red	RAL 3020 Traffic red
				
RAL 5003 Sapphire blue	RAL 5010 Gentian blue	RAL 5014 Pigeon blue	NEW: Traffic blue	RAL 5018 Turquoise blue
				
RAL 5024 Pastel blue	RAL 6029 Mint green	RAL 6034 Pastel turquoise	RAL 7016 Anthracite grey	RAL 7032 Pebble grey
				
RAL 7035 Light grey	RAL 7044 Silk grey	RAL 7045 Telegrey 1	RAL 9010 Pure white	RAL 9016 Traffic white

The colours shown here may differ from those on the screen or in print

Technical details:

Mains voltage, mains frequency:	230 V (+/- 10 %) at 50/60 Hz
Power consumption:	max. 2.3 kVA at 10 A
Classification:	Ila
Protection category:	I
Degree of protection:	B
Motor suction (optional):	Vacuum pump (oil-free, suction capacity 40 l/min at -0.85 bar, 150 VA), electronic and mechanical overflow protection, bacterial filter
Compressed air (optional):	12 l/min at 2,700 rpm and 138 VA, optionally adjustable from 0.2 to 2.5 bar
Ear irrigation with continuous flow heating (optional):	+37° C +/-1° C, 500 ml/min, max. 1,500 VA (when heating)
Ear irrigation with water heater system (optional):	+37° C +/-1° C, 500 ml/min, max. 550 VA (when heating)
Water tank (optional):	5 litres
Light source, halogen (optional):	150 VA, 15 V
Light source, LED (optional):	30 VA, 12 V
Total weight:	approx. 140 kg (depending on equipment)
Dimensions (WxHxD):	915 x 970 x 545 mm
Ambient temperature:	from +5° C to +35° C

Subject to technical modifications

MODULA Europa

**Complete equipment and
optimal storage possibilities**

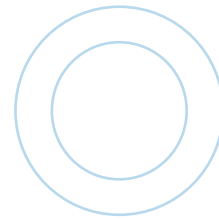


Image does not show standard equipment

Product description



MODULA Europa – stands for large product variety and individual equipment possibilities. Installed desk, PC workstation, swivel arm or upper shelf for different units – we design and produce the unit to suit your requirements. The MODULA Europa is the optimal size so that not only can all components be optimally placed, but there is also a wide range of storage possibilities to choose from for instruments. You can choose from fully extendable drawers as well as instrument shelves with flat stainless steel trays on up to three levels.



Standard equipment

- High-quality, electrolytically galvanised sheet steel housing
- Stoved enamel antibacterial powder coating in 20 colours
- Mobile unit with stainless steel base, antistatic heavy-duty castors
- Electronic operating and display system: robust, user-friendly glass display with touch-sensitive function keys
- Instrument holder for irrigation, compressed air and suction handles, swivelling
- Integrated rapid mirror warmer, with fan
- 4 fully extendable and soft closing drawers
- Pull-out writing/preparation desk with stainless steel surface
- 3 disinfection quivers for rigid endoscopes with protective silicone adapter
- 2 instrument levels with stainless steel instrument trays
- Indirect illumination for instrument levels
- Acrylic glass instrument cover, sinkable behind the cabinet
- Melamine instrument tray for used instruments with silicone insert
- Waste bin, opening with foot pedal (self-closing)



Image does not show standard equipment

- | | |
|---|---|
| 1 Irrigation handle, compressed air sprayer, suction hose | 9 Fully extendable and soft closing drawers |
| 2 Glass display as a display and control element | 10 Melamine instrument tray |
| 3 Instrument trays on up to three levels | 11 Mirror warmer |
| 4 LED or halogen cold light sources | 12 Robust design featuring high-quality materials |
| 5 Antibacterial tubes with quick connectors | 13 Waste bin |
| 6 Endoscope quivers | 14 Tongue depressor holder |
| 7 Upper shelf as expansion of storage possibilities | 15 Stainless steel holder for medicament sprayer |
| 8 Headlamp holder, switches on/off automatically, height-adjustable and swivelling for cold light headlamps | 16 Ear speculum holder |

Example ENT workstation



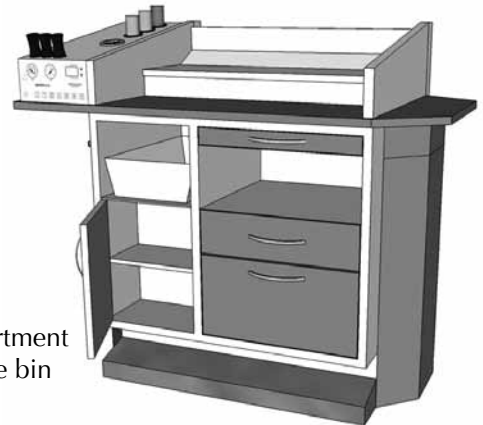
Image does not show standard equipment

- 1 ENT microscope KAPS Som 22 with an integrated cold light source (15 V / 150 VA)
- 2 Cold light headlamp
- 3 Rigid endoscopes
- 4 MODULA 4.SA patient chair with electrical height adjustment and synchronous adjustment of leg support
- 5 Storage possibility for ENT instruments

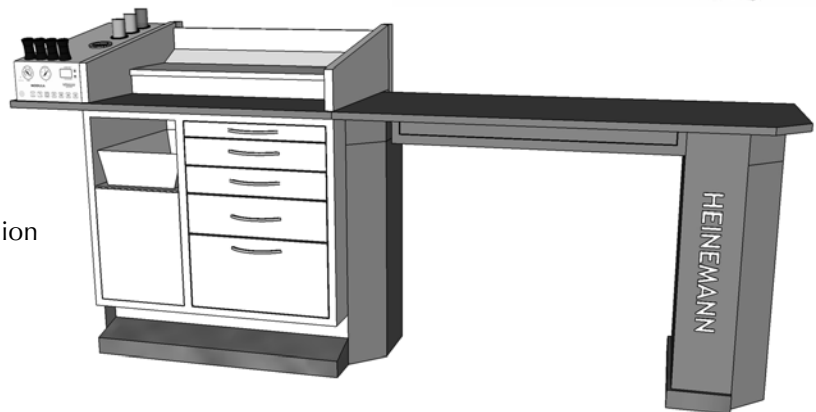
Example model versions



Electronic operating and display system on the right side

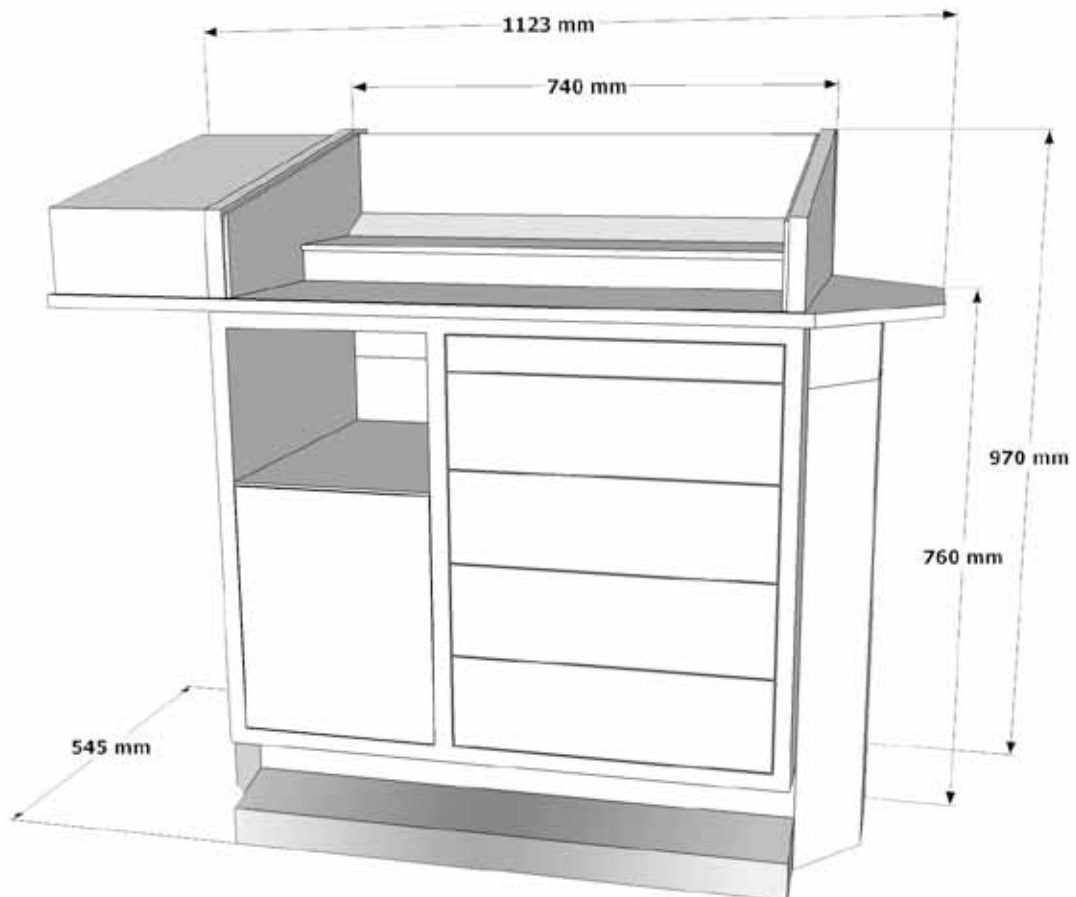


Storage compartment instead of waste bin



120 cm desk extension

Dimensions



Standard colours (antibacterial coating with fine structure):

				
RAL 1001 Beige	RAL 1013 Oyster white	RAL 1028 Melon yellow	RAL 3004 Purple red	RAL 3020 Traffic red
				
RAL 5003 Sapphire blue	RAL 5010 Gentian blue	RAL 5014 Pigeon blue	NEW: Traffic blue	RAL 5018 Turquoise blue
				
RAL 5024 Pastel blue	RAL 6029 Mint green	RAL 6034 Pastel turquoise	RAL 7016 Anthracite grey	RAL 7032 Pebble grey
				
RAL 7035 Light grey	RAL 7044 Silk grey	RAL 7045 Telegrey 1	RAL 9010 Pure white	RAL 9016 Traffic white

The colours shown here may differ from those on the screen or in print

Technical details:

Mains voltage, mains frequency:	230 V (+/-10 %) at 50/60 Hz
Power consumption:	max. 2.3 kVA at 10 A
Classification:	IIa
Protection category:	I
Degree of protection:	B
Motor suction (optional):	Vacuum pump (oil-free, suction capacity 40 l/min at -0.85 bar, 150 VA), electronic and mechanical overflow protection, bacterial filter
Compressed air (optional):	12 l/min at 2,700 rpm and 138 VA, optionally adjustable from 0.2 to 2.5 bar
Ear irrigation with continuous flow heating (optional):	+37° C +/- 1° C, 500 ml/min, max. 1,500 VA (when heating)
Ear irrigation with water heater system (optional):	+37° C +/- 1° C, 500 ml/min, max. 550 VA (when heating)
Water tank (optional):	5 litres
Light source, halogen (optional):	150 VA, 15 V
Light source, LED (optional):	30 VA, 12 V
Total weight:	approx. 160 kg (depending on equipment)
Dimensions (WxHxD):	1,123 x 970 x 545 mm
Ambient temperature:	from +5° C to +35° C

Subject to technical modifications

Product description



MODULA Duo – this name stands for the flexibility of the construction and an optimal combination of functional components and instrument storage possibilities. The function module and additional cabinet module are connected with a joint. This creates the possibility for adapting the treatment unit individually to suit your treatment position.

The light module is located between the two module parts and houses a modern control and display unit made of glass. It can be equipped with up to 4 cold light sources (halogen or LED), heatable endoscope holders, disinfection quivers and a holder for flexible endoscopes.

Standard equipment

- High-quality, electrolytically galvanised sheet steel housing
- Stoved enamel antibacterial powder coating in 20 colours
- Mobile unit with stainless steel base, antistatic heavy-duty castors
- Electronic operating and display system: robust, user-friendly glass display with touch-sensitive function keys
- Instrument holder for irrigation, compressed air and suction handles, swivelling
- Integrated rapid mirror warmer, with fan
- 6 drawers, fully extending with soft close system
- Pull-out writing/preparation desk with stainless steel surface
- 4 disinfection quivers for rigid endoscopes with protective silicone adapter
- 2 instrument levels with stainless steel instrument trays
- Indirect illumination for instrument levels
- Acrylic glass instrument cover, sinkable behind the cabinet
- Stainless steel instrument tray for used instruments with silicone insert
- Waste bin, opening with foot pedal (self-closing)



Image does not show standard equipment



- | | |
|---|---|
| <ul style="list-style-type: none"> 1 Irrigation handle, compressed air sprayer, suction hose 2 Glass display as a display and control element 3 Instrument trays on up to three levels 4 LED or halogen cold light sources 5 Antibacterial tubes with quick connectors 6 Endoscope quivers 7 Rinsing system for suction tube | <ul style="list-style-type: none"> 8 Instrument cabinet 9 Fully extendable and soft closing drawers 10 Stainless steel instrument tray 11 Mirror warmer 12 Robust design featuring high-quality materials 13 Waste bin 14 Upper shelf above instrument level |
|---|---|

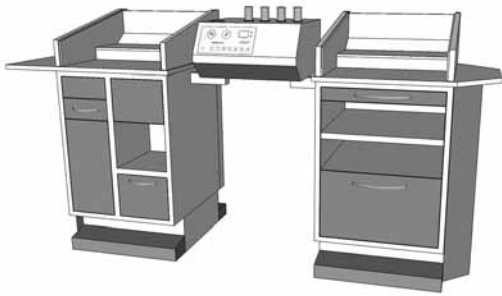
Example ENT workstation



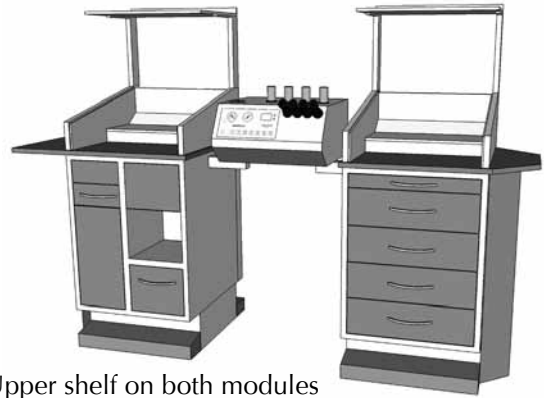
Image does not show standard equipment

- 1 ENT Monitor 18,5"
- 2 Endoscopy camera "swiftCAM-USB"
- 3 Holder for a head light with HEINE 3S LED head light
- 4 Rigid endoscopes with fiberoptic light cables

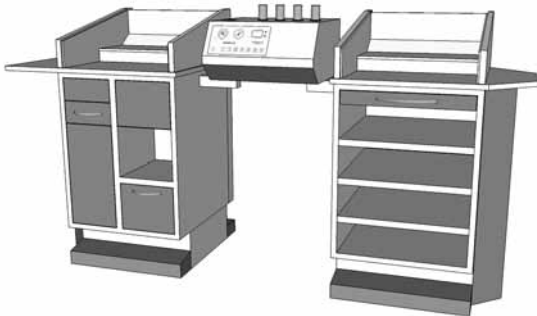
Example model versions



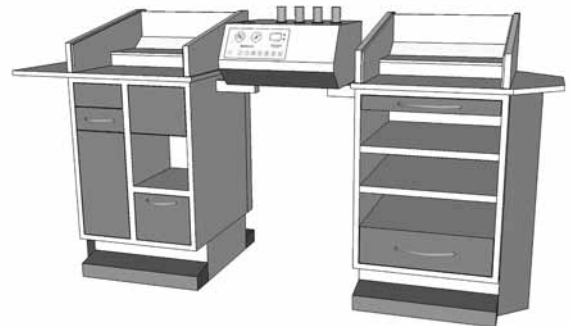
Two storage compartments instead of two top drawers



Upper shelf on both modules

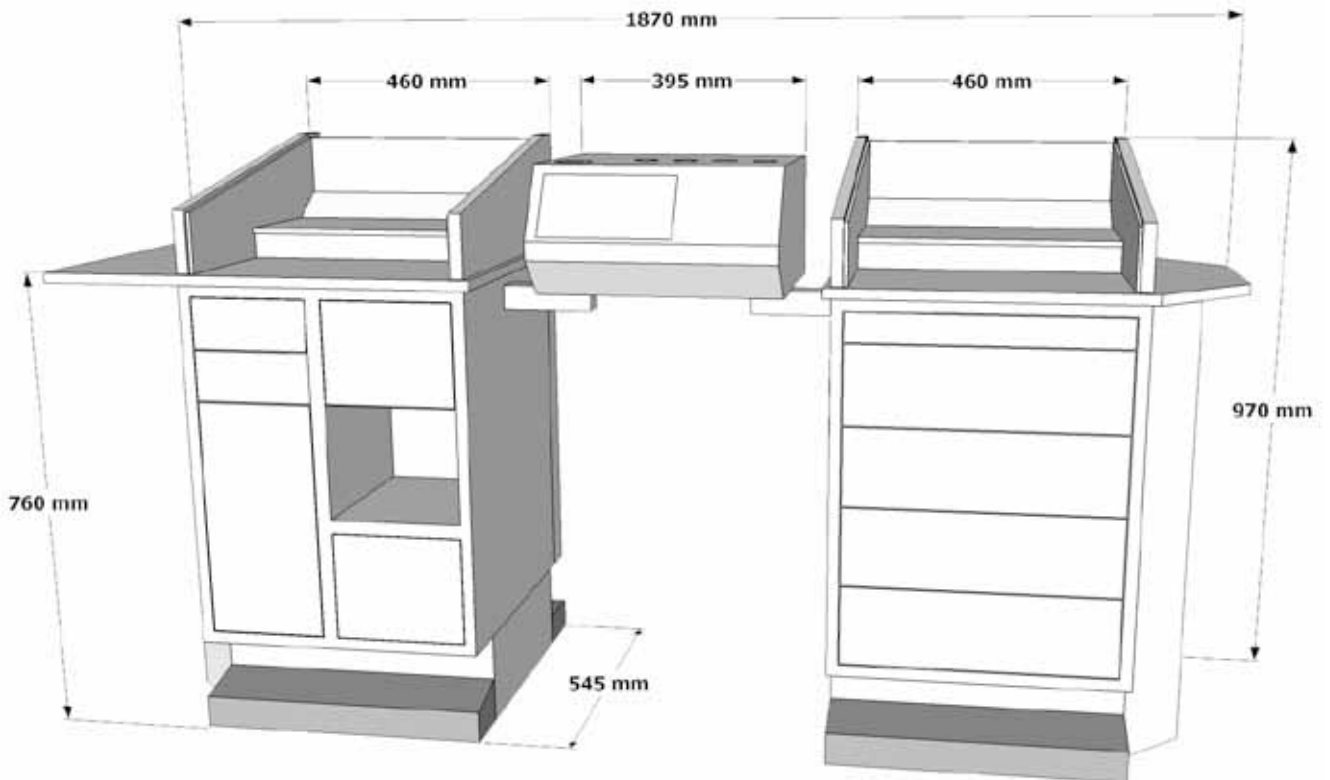


Instrument cabinet with storage compartments



Three storage compartments instead of three top drawers

Dimensions



Standard colours (antibacterial coating with fine structure):

				
RAL 1001 Beige	RAL 1013 Oyster white	RAL 1028 Melon yellow	RAL 3004 Purple red	RAL 3020 Traffic red
				
RAL 5003 Sapphire blue	RAL 5010 Gentian blue	RAL 5014 Pigeon blue	NEW: Traffic blue	RAL 5018 Turquoise blue
				
RAL 5024 Pastel blue	RAL 6029 Mint green	RAL 6034 Pastel turquoise	RAL 7016 Anthracite grey	RAL 7032 Pebble grey
				
RAL 7035 Light grey	RAL 7044 Silk grey	RAL 7045 Telegrey 1	RAL 9010 Pure white	RAL 9016 Traffic white

The colours shown here may differ from those on the screen or in print

Technical details:

Mains voltage, mains frequency:	230 V (+/-10 %) at 50/60 Hz
Power consumption:	max. 2.3 kVA at 10 A
Classification:	Ila
Protection category:	I
Degree of protection:	B
Motor suction (optional):	Vacuum pump (oil-free, suction capacity 40 l/min at -0.85 bar, 150 VA), electronic and mechanical overflow protection, bacterial filter
Compressed air (optional):	12 l/min at 2,700 rpm and 138 VA, optionally adjustable from 0.2 to 2.5 bar
Ear irrigation with continuous flow heating (optional):	+37° C +/- 1° C, 500 ml/min, max. 1,500 VA (when heating)
Ear irrigation with water heater system (optional):	+37° C +/- 1° C, 500 ml/min, max. 550 VA (when heating)
Water tank (optional):	5 litres
Light source, halogen (optional):	150 VA, 15 V
Light source, LED (optional):	30 VA, 12 V
Total weight:	approx. 220 kg (depending on equipment)
Dimensions (WxHxD):	1,870 x 970 x 545 mm
Ambient temperature:	from +5° C to +35° C

Subject to technical modifications

Four models - One list of options

Options for MODULA units	REF	Duo	Europa	Paris	mini
ENT unit with 60 Hz mains frequency for all electrical parts	0110-00010	●	●	●	●
LED instrument illumination with changing RGB colours (red, green, blue) incl. remote control	0110-20010	●	●	●	-
3 rd instrument level with extendable central level (not together with REF: 0110-20025)	0110-20000	●	●	●	-
Heatable instrument storage surface (only for the top level respectively)	0110-20020	●	●	●	-
Mirror warming block for approx. 50 mirrors (not together with REF: 0110-20025 or 0110-20025)	0110-20110	●	●	●	-
Storage compartment for medicament bottles, integrated in the instrument level (not together with REF: 0110-20110)	0110-20025	●	●	●	-
Electronic operating and display system on the right side	0110-20050	-	●	●	-
Upper shelf above instrument level with powder-coated aluminium shelf (integrated board surface for devices)	0110-20060	●	●	●	-
Upper shelf above instrument level with matt acrylic glass shelf (integrated board surface for devices)	0110-20065	●	●	●	-
Lower shelf (instead of drawer)	0110-21000	●	●	-	●
Compartment for a melamine instrument tray	0110-21100	-	-	-	●
Flat, half-open drawer for instruments	0110-21300	-	●	-	●
Storage compartment with door (instead of waste bin)	0110-21200	●	●	●	-
Cotton wool and tongue swab dispenser (attached on right side of unit)	0110-20130	-	●	●	-
Cotton wool and tongue swab dispenser (integrated in the unit)	0110-20135	●	●	-	-
Desk extension S (approx. 50 cm extension)	0110-20150	-	●	●	-
Desk extension M (approx. 100 cm extension)	0110-20160	-	●	●	-
Desk extension M with sliding keyboard shelf (approx. 100 cm extension)	0110-20165	-	●	●	-
Desk extension L (approx. 120 cm extension)	0110-20170	-	●	●	-
Desk extension L with sliding keyboard shelf (approx. 120 cm extension)	0110-20175	-	●	●	-
UV-C Hygiene Drawer (instead of standard drawer)	0110-91000	●	●	-	-

Options for MODULA units	REF	Duo	Europa	Paris	mini
Accessories adaptation					
Headlamp holder (hook), not automatic (installed on swivel arm)	0110-20081	●	●	●	●
Headlamp holder (hook), not automatic (magnetic)	0110-20084	●	●	●	●
Headlamp holder, height-adjustable and swivelling, not automatic (installation in rear or front working area)	0110-20083	●	●	●	●
Headlamp holder, switches on/off automatically, height-adjustable and swivelling for cold light headlamps (installation in rear or front working area)	0110-20080	●	●	●	●
Headlamp holder, switches on/off automatically, height-adjustable and swivelling for CLAR (6) headlamps (installation in rear or front working area)	0110-20090	●	●	●	●
Holder for camera head (magnetic)	0110-20082	●	●	●	●
Microscope holder for ZEISS microscopes (installation on treatment unit)	0110-70000	●	●	●	-
Microscope holder for KAPS microscopes (installation on treatment unit)	0110-70100	●	●	●	-
Monitor holder for 10" to 22" TFT monitor (Installed on microscope column or stand column)*	0110-71000	●	●	●	-
Stand column for swivel arms (installation on treatment unit)	0110-71030	●	●	●	-
Stand column + monitor holder for 10" to 22" TFT monitor (installation on unit)*	0110-71035	●	●	●	-
Swivel arm with storage board, size 2, 312 x 358 mm (installation on microscope column or stand column)*	0110-71041	●	●	●	-
Swivel arm with storage board, size 1, 268 x 278 mm (installation on microscope column or stand column)*	0110-71042	●	●	●	-
Monitor holder for MODULA mini (Installation on the left side)	0110-71025	-	-	-	●

*Only one swivel arm on the stand or microscope column respectively

Options for MODULA units	REF	Duo	Europa	Paris	mini
Suction System					
Suction with manual suction reservoir: vacuum pump (oil-free, capacity 40 l/min at -0.85 bar), vibration-free bracket for vacuum pump, automatic on/off switch when suction tube is picked up, antibacterial suction tube with quick connector (no water connection necessary)	0120-10100	●	●	●	●
"Sekretomatik": vacuum pump (oil-free, capacity 40 l/min at -0.85 bar), automatic suction reservoir with rinsing system, vibration-free bracket for vacuum pump, automatic on/off switch when suction tube is picked up, antibacterial suction tube with quick connector (water connection necessary)	0120-10000	●	●	●	●
Extension for manual suction system for disposable suction bags MEDIVAC (no water connection necessary)	0120-10200	●	●	●	●
Extension for manual suction system for disposable suction bags MEDELA (no water connection necessary)	0120-10202	●	●	●	●
Extension for manual suction system for disposable suction bags SERRES (no water connection necessary)	0120-10205	●	●	●	●
MediVac disposable suction bag with solidifier, 1.5l (1pc)	0120-10230	●	●	●	●
Medela disposable suction bag with solidifier, 1.5l (1pc)	0120-10270	●	●	●	●
Serres disposable suction bag with solidifier, 1.0l (1pc)	0120-10260	●	●	●	●
Disposable tube, 2 m (25 pieces)	0120-10240	●	●	●	●
Increased suction capacity 60 l/min (instead of 40 l/min vacuum pump)	0120-20010	●	●	●	●
Increased suction capacity thanks to very high performance MEDELA vacuum pump incl. vacuum regulator	0120-20020	-	●	-	-
Vacuum regulator for adjustment of suction performance	0120-50000	●	●	●	●
Suction system adaption for connection to central vacuum system (for REF: 0120-10100 or 0120-10200)	0120-10400	●	●	●	●
Suction system adaption for connection to central vacuum system (for REF: 0120-10000)	0120-10450	●	●	●	●
Separate suction tube for the adaptation of spit bowl / ear rinsing bowl with automatic on/off switching when suction tube removed	0120-10500	●	●	●	●
Tube rinsing system for automatic cleaning of the suction tube with system water pressure (only in combination with REF: 0120-10000)	0120-30000	●	●	●	●
Tube rinsing / cleaning system via container installed on the side of the unit with disinfectant solution	0120-30010	●	●	●	●
Metal nasal olive for the suction tube, small	0120-50210	●	●	●	●
Metal nasal olive for the suction tube, medium	0120-50220	●	●	●	●
Metal nasal olive for the suction tube, large	0120-50230	●	●	●	●
Fingertips for temporary reduction of suction capacity (100 pieces)	0120-50100	●	●	●	●

Options for MODULA units	REF	Duo	Europa	Paris	mini
Ear rinsing system					
+37° C ear irrigation system with continuous flow heating: digital temperature display, irrigation handle with exchangeable cannula, antibacterial handle tube with quick connector incl. aqua-stop valve and connection tubes (water purification filter additionally required)	0130-10000	●	●	●	●
Vestitherm expansion for caloric stimulation in vestibular examinations, temperature can be set from +22° C to +44° C (only in combination with REF: 0130-10000)	0130-11000	●	●	●	●
+37° C autonomous ear irrigation system: water heater, external water tank (5 litres). Independent of domestic water supply, antibacterial handle tube with quick connector (water purification filter additionally required)	0130-12000	●	●	●	●
Water purification filter (disposable: lifespan 4 weeks), for insertion between the irrigation handle and cannula	0130-42000	●	●	●	●
Ear rinsing bowl, adaptable to connection tube	0130-50000	●	●	●	●
Sink/spit bowl, adaptable to connection tube	0130-50010	●	●	●	●
Irrigation cannula for irrigation handle, length 40 mm	0130-50027	●	●	●	●
Irrigation cannula for irrigation handle, length 80 mm	0130-50025	●	●	●	●
Irrigation cannula for irrigation handle, length 110 mm	0130-50026	●	●	●	●
Splash guard for irrigation cannula (acrylic glass)	0130-50030	●	●	●	●
Compressed air system					
Compressed air unit: compressor (oil-free, 12 l/min, max. 4.0 bar) stainless steel pressure container, chrome-plated compressed air handle, antibacterial handle tube with quick connector incl. 3 medicament sprayer and stainless steel holder for spray bottles	0140-10000	●	●	●	●
Compressed air control valve for fine adjustment (required for Politzer manoeuvre or use on children)	0140-50000	●	●	●	●
Plastic Politzer olives, set with 3 different sizes (small, medium, large)	0140-21300	●	●	●	●
Plastic Politzer olive, small (15 mm)	0140-21301	●	●	●	●
Plastic Politzer olive, medium (18 mm)	0140-21302	●	●	●	●
Plastic Politzer olive, large (22 mm)	0140-21303	●	●	●	●
Medicament sprayer for liquids, complete with sprayer attachment and bottles	0140-60101	●	●	●	●
Medicament sprayer for powders, complete with sprayer attachment and bottles	0140-60102	●	●	●	●
Drug nebuliser for liquids, with detachable and autoclavable front part, 1 pc. (without bottle)	0140-60107	●	●	●	●
Detachable front part for drug nebuliser (only for REF 0140-60107)	0140-60109	●	●	●	●
Nebuliser bottles for liquids, 1 pc.	0140-60104	●	●	●	●
Nebuliser bottles for powder, 1 pc.	0140-60106	●	●	●	●

Options for MODULA units	REF	Duo	Europa	Paris	mini
Cold light system					
1 cold light source, 150 Watt halogen, heat absorbing filter, Storz connection, lifespan approx. 500 hours	0150-10100	●	●	●	●
2 cold light sources, 150 Watt halogen, heat absorbing filter, Storz connection, lifespan approx. 500 hours	0150-10200	●	●	●	●
3 cold light sources, 150 Watt halogen, heat absorbing filter, Storz connection, lifespan approx. 500 hours	0150-10300	●	●	●	●
4 cold light sources, 150 Watt halogen, heat absorbing filter, Storz connection, lifespan approx. 500 hours	0150-10400	●	●	●	-
Regulation of light intensity for halogen cold light source(s)	0150-20010	●	●	●	●
1 cold light source, LED (corresponds to a 150 W halogen lamp), heat protection filter, Storz connection, intensity regulation, lifespan approx. 30,000 hours	0150-10500	●	●	●	●
2 cold light sources, LED (corresponds to a 150 W halogen lamp), heat protection filter, Storz connection, intensity regulation, lifespan approx. 30,000 hours	0150-10600	●	●	●	●
3 cold light sources, LED (corresponds to a 150 W halogen lamp), heat protection filter, Storz connection, intensity regulation, lifespan approx. 30,000 hours	0150-10700	●	●	●	●
4 cold light sources, LED (corresponds to a 150 W halogen lamp), heat protection filter, Storz connection, intensity regulation, lifespan approx. 30,000 hours	0150-10800	●	●	●	-
LED light source output for the head light (only in combination with at least one light source)	0150-10900	-	●	●	-
Connection for headlamp 6 V (e. g., CLAR headlamp, warm light)	0150-60100	●	●	●	●
Cold light source output adapter for WOLF	0150-20400	●	●	●	●
Cold light source output adapter for OLYMPUS	0150-20200	●	●	●	●
Cold light source output adapter for PENTAX	0150-20300	●	●	●	●
Fibreoptic light cable, straight, length = 180 cm (each)	0150-30100	●	-	-	-
Fibreoptic light cable, 90° angled, length = 180 cm (each)	0150-30000	-	●	●	●
Fibreoptic light cable adapter, for endoscope (Storz, Wolf...)	0150-31000	●	●	●	●
Fibreoptic light cable adapter, for light source (Storz, Wolf...)	0150-32000	●	●	●	●
Endoscope storage					
Pre-heated endoscope quiver for sinusscopes (max. Ø 4 mm), 1 pc.	0150-50000	4*	4*	4*	3*
Pre-heated endoscope quiver for laryngoscopes (max. Ø 11 mm), 1 pc.	0150-50010	4*	4*	4*	3*
Endoscope quiver for sinusscopes (max. Ø 4 mm), 1 pc.	0150-50100	4*	4*	4*	3*
Endoscope quiver for laryngoscopes (max. Ø 12 mm), 1 pc.	0150-50110	4*	4*	4*	3*
Endoscope holder for temporary storage of rigid endoscopes	0150-50300	●	●	●	●

* Maximum possible number of endoscope quivers

Options for MODULA units	REF	Duo	Europa	Paris	mini
Endoscope storage					
Preparation for the 4 th disinfection quiver for rigid endoscopes	0150-50200	-	●	●	-
Disinfection quiver for stainless steel flexible endoscopes with holder (3x quivers)	0150-51000	●	●	●	●
Stainless steel holder for max. 3 fibroscope quivers	0150-51050	●	●	●	●
Disinfection quiver for fibroscope, 1 pc.	0150-51010	●	●	●	●
Adapter for disinfection quivers for rigid endoscopes	0150-50220	●	●	●	●
Instrument storage					
Stainless steel instrument tray for used instruments	0160-12000	●	-	●	-
Silicone insert for instrument tray	0160-11020	●	-	●	-
Splash protection cover for instrument tray	0160-12400	●	-	●	-
Stainless steel cover for instrument tray	0160-12100	●	-	●	-
Melamine instrument tray for used instruments	0160-11000	-	●	-	●
Silicone insert for instrument tray	0160-11030	-	●	-	●
Splash protection cover for instrument tray	0160-12300	-	●	-	●
Stainless steel basket for instrument tray	0160-11010	-	●	-	●
Stainless steel cover for instrument tray	0160-12200	-	●	-	●
Stainless steel cover for instrument tray with apperture	0160-12260	-	●	-	●
Stainless steel spray bottle holder with 3 drug nebulisers (Integration in the bottom level)	0160-21300	●	●	●	-
Stainless steel ear speculum holder, small (3x6)	0160-21000	●	●	●	-
Stainless steel ear speculum holder, medium (4x6)	0160-21010	●	●	●	-
Stainless steel tongue depressor holder, small (3 rows)	0160-21200	●	●	●	-
Stainless steel tongue depressor holder, medium (4 rows)	0160-21210	●	●	●	-

Instrument cabinets

Are you looking for stable, spacious and mobile instrument cabinets or charts? We offer a wide range of instrument cabinets and video charts, which not only have the same design as the MODULA treatment units, but which you can also customize to suit your personal requirements.

All the cabinets and trolleys are composed of a stable, electrolytically galvanised plate housing with powder-coated stoved enamelling. The cabinets are all mobile and equipped with an acrylic glass cover. We offer you every model with basic equipment that you can expand to suit your requirements. Not only can you select the individual components in and on the cabinet however you wish, but you can also even choose the colour of the cabinet (20 RAL colours).

HANSEAT-L

REF: 0300-10100

- High-quality, electrolytically galvanised sheet steel housing
- Powder-coated stoved enamelling in RAL colours (see standard colour table)
- Mobile unit with stainless steel base, antistatic heavy-duty castors
- 4 fully extendable and soft closing drawers
- 2 instrument levels with stainless steel trays
- **Melamine instrument tray for used instruments**
- **Waste bin opened with foot pedal, closes quietly automatically**
- Acrylic glass instrument cover, sinkable behind the cabinet
- Pull-out writing/preparation desk with stainless steel surface
- Indirect illumination for instrument levels



HANSEAT-XL

REF: 0300-10000

- High-quality, electrolytically galvanised sheet steel housing
- Powder-coated stoved enamelling in RAL colours (see standard colour table)
- Mobile unit with stainless steel base, antistatic heavy-duty castors
- 4 continuous drawers, fully extending with soft close system
- 2 instrument levels with stainless steel trays
- Acrylic glass instrument cover, sinkable behind the cabinet
- Pull-out writing/preparation desk with stainless steel surface
- Indirect illumination for instrument levels



HANSEAT-M

REF: 0300-20000

- High-quality, electrolytically galvanised sheet steel housing
- Powder-coated stoved enamelling in RAL colours (see standard colour table)
- Mobile unit with stainless steel base, antistatic heavy-duty castors
- 4 fully extendable and soft closing drawers
- 2 instrument levels with stainless steel trays
- Acrylic glass instrument cover, sinkable behind the cabinet
- Indirect illumination for instrument levels



Options for HANSEAT Instrument cabinets	REF	M	L	XL
LED instrument illumination with changing RGB colours (red, green, blue) incl. remote control	0110-20010	●	●	●
3 rd instrument level with extendable central level (not together with REF: 0110-20025)	0110-20000	●	●	●
Heatable instrument storage surface (only for the top level respectively)	0110-20020	-	●	●
Mirror warming block for approx. 50 mirrors (not together with REF: 0110-20025 or 0110-20025)	0110-20110	-	●	●
Storage compartment for medicament bottles, integrated in the instrument level (not together with REF: 0110-20110)	0110-20025	●	●	●
Upper shelf above instrument level with powder-coated aluminium shelf (integrated board surface for devices)	0110-20060	-	●	●
Upper shelf above instrument level with matt acrylic glass shelf (integrated board surface for devices)	0110-20065	-	●	●
Lower shelf (instead of drawer)	0110-21000	●	●	-
Flat, half-open drawer for instruments	0110-21300	●	●	-
Storage compartment with door (instead of waste bin)	0110-21200	-	●	-
Cotton wool and tongue swab dispenser (integrated in the unit)	0110-20135	●	●	-
Desk extension M (approx. 100 cm extension)	0110-20160	●	●	●
Desk extension M with sliding keyboard shelf (approx. 100 cm extension)	0110-20165	●	●	●
Desk extension L (approx. 120 cm extension)	0110-20170	●	●	●
Desk extension L with sliding keyboard shelf (approx. 120 cm extension)	0110-20175	●	●	●
Stand column + monitor holder for 10" to 22" TFT monitor (installation on unit)*	0110-71035	●	●	●
Swivel arm with storage board, size 2, 312 x 358 mm (installation on microscope column or stand column)*	0110-71041	●	●	●
Swivel arm with storage board, size 1, 268 x 278 mm (installation on microscope column or stand column)*	0110-71042	●	●	●

*Only one swivel arm on the stand or microscope column respectively

Patient chairs

MODULA 2.SA (hydraulic)

Top: can be rotated and locked with the foot pedal, armrests made of integral foam can be individually folded away backwards, backrest can be tilted approx. 10° forward from upright and backward until horizontal.

Base: height-adjustable via **hydraulic oil pump** using the foot pedal, 200 mm range (540 - 740 mm), chrome-plated steel parts.



height adjustment
540 - 740 mm

Fixed foot rest



Fixed big foot rest,
foldable plate



Ordering Information	REF
MODULA 2.SA with hydraulic height adjustment	553-4612000
MODULA 2.SA as above, but with additional 90°-rotatable seat	553-4622000
Fixed foot rest, chrome-plated	553-1330850
Fixed big foot rest, chrome-plated	553-1330900
Fixed big foot rest, foldable plate, chrome-plated	553-1337100

MODULA 3.SA (electromechanical)

Top: backrest can be infinitely adjusted between +9° and -90° via a lockable gas spring, adjusting lever on both sides. Armrests made of integral foam; when the backrest is adjusted, they drop to the correct surface height synchronously.

Base: electromechanical range 300 mm (580 - 880 mm), can be rotated and locked 360°, base diameter 70 cm, separate foot pedal for adjusting the height of the seat



Ordering Information	REF
MODULA 3.SA with electromechanical height adjustment	553-4616100
MODULA 3.SA as above, but with additional 90°-rotatable seat	553-4626100
Fixed foot rest, chrome-plated	553-1330850
Fixed big foot rest, chrome-plated	553-1330900
Fixed big foot rest, foldable plate, chrome-plated	553-1337100

MODULA 4.SA (electromechanical, synchronous)

Top: backrest can be infinitely adjusted between +9° and -90° via a lockable gas spring, lever on both sides for adjusting backrest, armrests made of integral foam, can be swivelled approx. 100° backwards. When the backrest is adjusted, they drop to the correct surface height synchronously.

Base: electromechanical range 300 mm (580 - 880 mm), can be rotated and locked 360°, base diameter 70 cm, separate foot pedal for adjusting the height of the seat, synchronous leg component whereby the foot bar swings up into the lying position.



Ordering Information	REF
MODULA 4.SA with synchronous adjustment of the lying surface	553-4636100
MODULA 4.SA as above, but with additional 90°-rotatable seat	553-4646100

MODULA 5.SA (synchronous, fully electrical)

Top: backrest can be **infinitely adjusted via an electric motor**, between +9° and -90°, lever on both sides for adjusting backrest, armrests made of integral foam, can be swivelled approx. 100° backwards. When the backrest is adjusted to the horizontal position, they drop to the correct surface height synchronously. Grip on front of armrest

Base: electromechanical range 300 mm (580 - 880 mm), can be rotated and locked 360°, base diameter 70 cm, separate foot pedal for adjusting the height of the seat and backrest, synchronous leg component whereby the foot bar swings up into the lying position.



Ordering Information

REF

MODULA 5.SA

553-4736100

MODULA 5.SA as above, but with additional 90°-rotatable seat

553-4746100

Working chairs

Working stool, model 1

Working stool with safety castors with brakes:

- Height-adjustable from 43 to 73 cm
- Seat **40 cm**
- Highly polished aluminium cross base
- Permanently chrome-plated steel parts
- Safety castors with brakes



Ordering Information	REF
Working stool with height-adjustable seat 43-55 cm (without foot ring)	553-3006105
Working stool with height-adjustable seat 47-59 cm (without foot ring)	553-3006205
Working stool with height-adjustable seat 54-73 cm (without foot ring)	553-3006305
Working stool with height-adjustable seat 47-59 cm (with foot ring)	553-3007005
Working stool with height-adjustable seat 54-73 cm (with foot ring)	553-3007105

Working chair, model 2

Working chair with safety castors with brakes:

- Backrest is 180° rotatable; height and inclination can be set
- Seat **40 cm**
- Height-adjustable from 43 to 73 cm
- Highly polished aluminium cross base
- Permanently chrome-plated steel parts
- Safety castors with brakes



Ordering Information

REF

Working chair with height-adjustable seat 43-55 cm (without foot ring)

553-4154105

Working chair with height-adjustable seat 47-59 cm (without foot ring)

553-4154205

Working chair with height-adjustable seat 54-73 cm (without foot ring)

553-4154305

Working chair with height-adjustable seat 47-59 cm (**with** foot ring)

553-4155005

Working chair with height-adjustable seat 54-73 cm (**with** foot ring)

553-4155105

Working chair, model 3

Working chair with safety castors with brakes and backrest:

- Height of the seat can be adjusted via the **foot pedal**
- Seat 40 cm
- Seat height 51-71 cm
- Highly polished aluminium cross base
- Permanently chrome-plated steel parts
- Backrest is 180° rotatable
- Weight: approx. 14 kg
- With **foot ring**



Ordering Information

REF

Working chair with height-adjustable seat 51-71 cm

553-4155305

Working chair, model 4

Working chair with safety castors with brakes and backrest:

- Height of the seat can be adjusted via the **foot pedal**
- Cushioned seat 40 cm
- **Anatomically** designed seat edge
- Seat height 51-71 cm
- Highly polished aluminium cross base
- Permanently chrome-plated steel parts
- Backrest is 180° rotatable
- With **foot ring**
- Weight: approx. 14 kg



Ordering Information

REF

Working chair with height-adjustable seat 51-71 cm

553-4185305

ENT microscopes



SOM 22

SOM 62

SOM model range

Standard equipment:

- 3-level magnification changer
- Lens $f = 200$ mm
- Binocular straight tube $f = 125$ mm
- 2x Eyepieces for spectacle wearers, WF 12.5xV or WF 10xV
- Illumination unit 15 V, 150 VA



○ Examples of additional equipment



Microscope holder with fine focussing



Beam splitter with endoscope adapter



Lenses



Rapid lens changer



Handles

Ordering Information	REF
KAPS SOM 22 (installation in unit) with cold light illumination	535-0500059
KAPS SOM 22 (installation in unit) with coaxial LED cold light illumination	535-0500005
KAPS SOM 32 (wall installation) with cold light illumination	535-0500011
KAPS SOM 62 (floor installation) with cold light illumination	535-0500014
Beam splitter with endoscope adapter	535-101890000
Lens f = 400 mm	535-101670000
Vario lens f = 200-400 mm	535-162700000
Rapid lens changer for 3x changer (without lens)	535-102181000

Additional equipment available on request

ZEISS OPMI pico

Comprising the OPMI pico with 5x changer, integrated green and orange filter, a T-handle and integrated cold light fibreoptic illumination with rapid lamp changer

- Straight wide-field tube 45° $f = 170$ mm
- 2 eyepieces with 10x magnification
- Lens $f = 250$ mm
- Wall, ceiling or floor stand including illumination unit and fibreoptic light cable
- 2 sleeves for tubes with screw thread
- Dust cover
- 6-pack of asepsis caps 12 mm





Ordering information

REF

Zeiss Opmi pico (installation on unit)

547-0500074

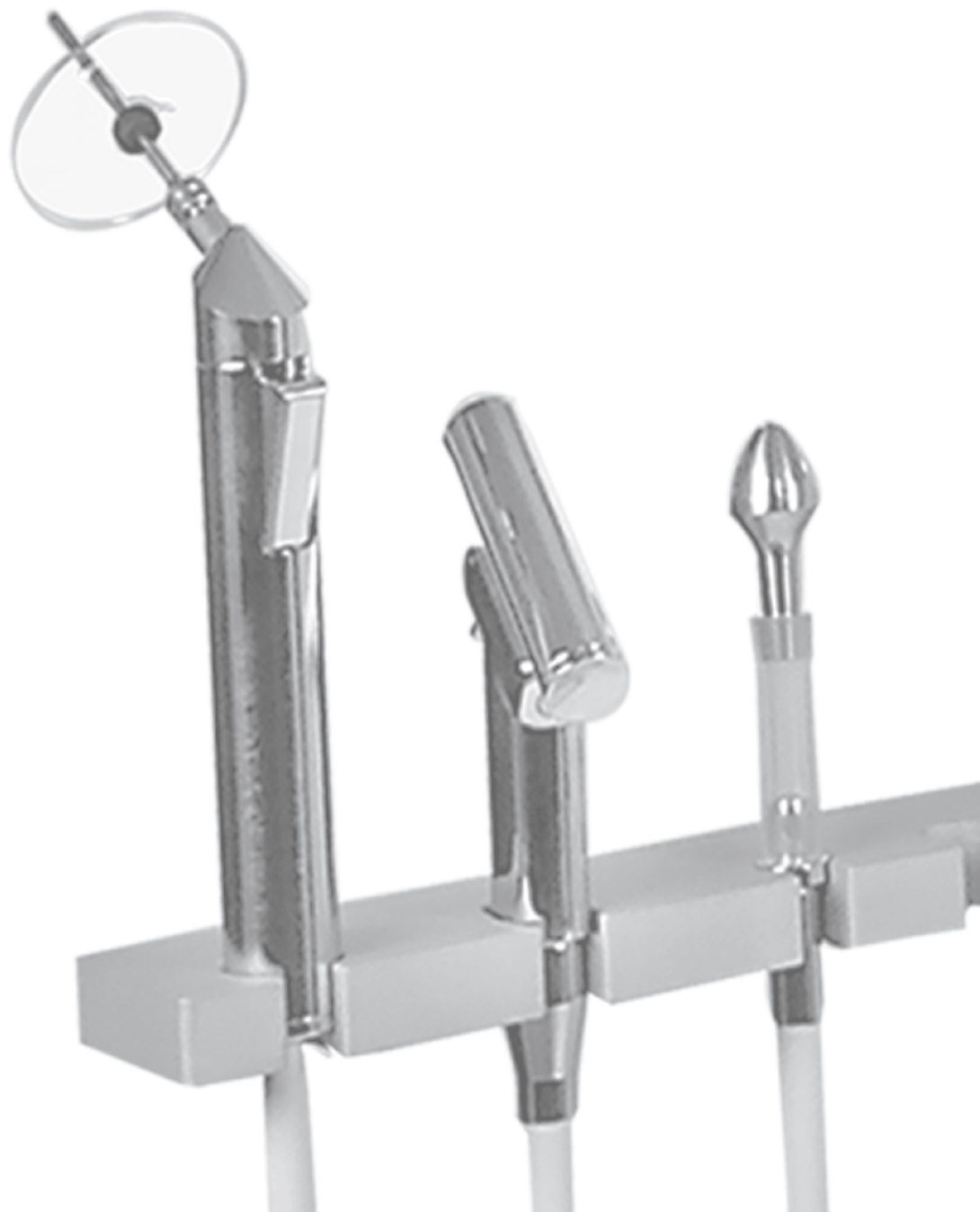
Endoport (beam splitter with endoscope adapter)

547-1153971

Headlamps

Fibreoptic Cold Light Head Lights		REF
<p>Cold light headlamp (standard)</p> <p>Complete with leather-upholstered headband, 2.2 m fibreoptic light cable installed on right, luminous field 50 to 210 mm</p> <p>0° (straight) cable head</p>	006-08325	
<p>Cold light headlamps (standard)</p> <p>Complete with leather-upholstered headband, 2.2 m fibreoptic light cable installed on right, luminous field 50 to 210 mm</p> <p>90° (angled) cable head</p>	006-08327	
<p>Microspot surgical cold light headlamp</p> <p>Focusable fibreoptic headlamp with high-performance optics and a light, comfortable headband. For the illumination of the smallest bodily cavities. Illuminous field of 7 to 63 mm.</p> <p>0° (straight) cable head</p>	006-08370	
<p>Microspot surgical cold light headlamp</p> <p>Focusable fibreoptic headlamp with high-performance optics and a light, comfortable headband. For the illumination of the smallest bodily cavities. Illuminous field of 7 to 63 mm.</p> <p>90° (angled) cable head</p>	006-08372	
Warm Light Head Light		
<p>CLAR-S headlamps</p> <p>Headlamp complete with a Ø 55 mm concave mirror, adjustable, ergonomic headband and 2 m cable with banana plugs</p>	006-0812106	

LED cold light headlamps	REF	
<p>Standard surgical LED headlamp (black with headband)</p> <p>High-power, focusable headlamp with a white, high-performance LED. The Li-Ion battery integrated in the headband makes this light, comfortable model especially suitable for mobile applications.</p> <p>Total weight: 350 g (with battery pack on the headband) Charging time: Approx. 4 hours from completely dead Operating period: Approx. 3.5 hours Working distance: 20 to 60 cm Illuminous field diameter: 11 to 130 mm Colour temperature: Approx. 6,000° K</p>	006-08795-S	
<p>Standard surgical LED headlamp (white with headband)</p> <p>High-power, focusable headlamp with a white, high-performance LED. The Li-Ion battery integrated in the headband makes this light, comfortable model especially suitable for mobile applications.</p> <p>Total weight: 350 g (with battery pack on the headband) Charging time: Approx. 4 hours from completely dead Operating period: Approx. 3.5 hours Working distance: 20 to 60 cm Illuminous field diameter: 11 to 130 mm Colour temperature: Approx. 6,000° K</p>	006-08795-W	
<p>Profi ML 4 LED head lamp</p> <p>Extra bright LED headlamp with adjustable light intensity: Weight: 336 g, operating period: 10 hours (mPack), brightness: 50,000 lux, colour temperature: 6,250° K, luminous field size: 30-80 mm (at working distance of 420 mm)</p> <p>With mPack (battery) and plug-in transformer</p> <p>Binocular loupes for the ML 4 LED headlamp available on request</p>	122-00831313	





Contact

G. Heinemann Medizintechnik GmbH

Leibnizstraße 13-15

D-24568 Kaltenkirchen

Germany

Phone: +49 (0)4191 - 95379-0

Fax: +49 (0)4191 - 9537937

Email: info@heinemann-ent.de

Web: www.heinemann-ent.de